

1

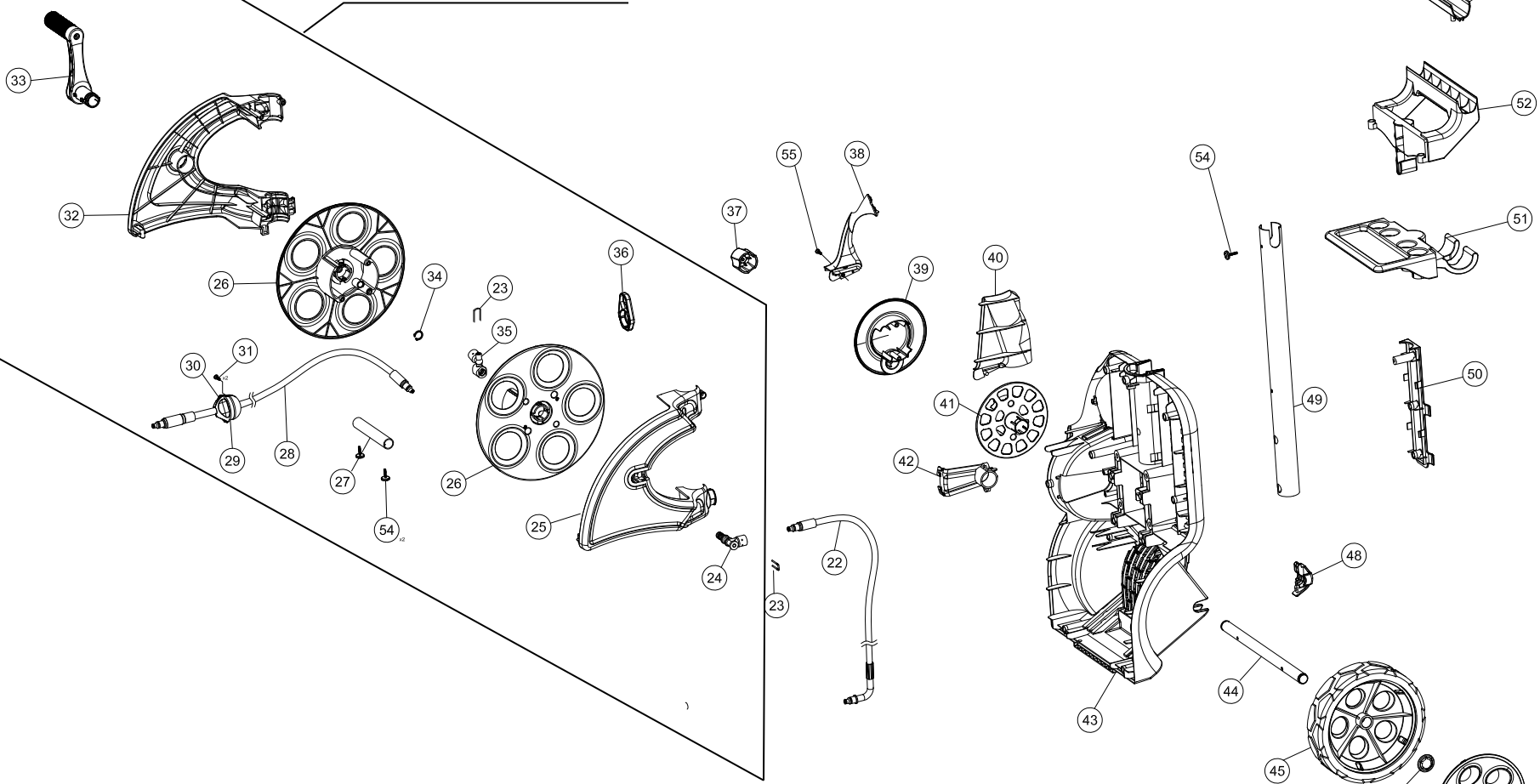
2

3

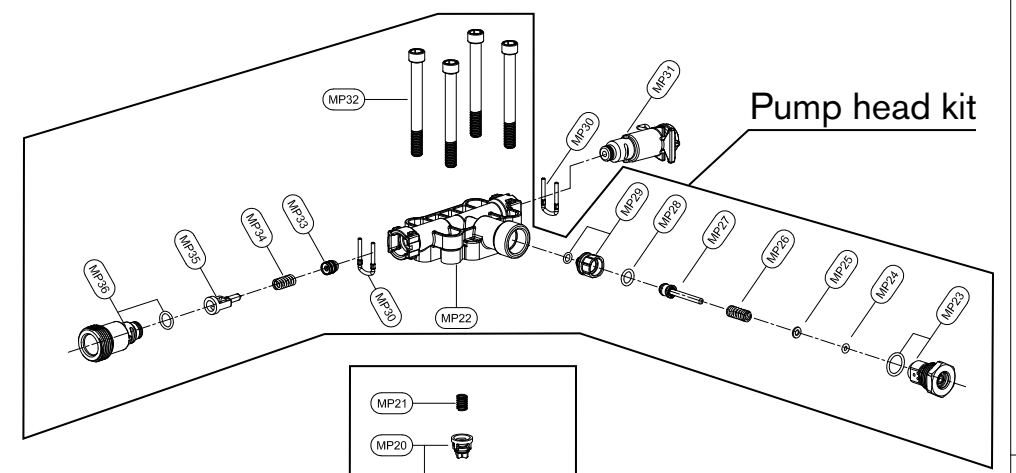
4

5

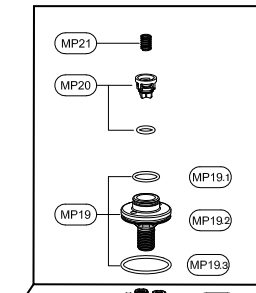
Hose reel kit



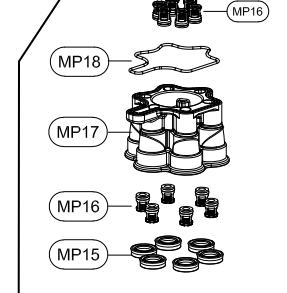
Pump head kit



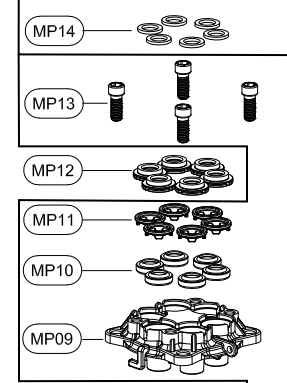
Main valve kit



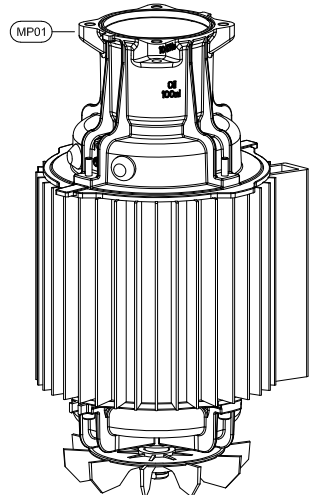
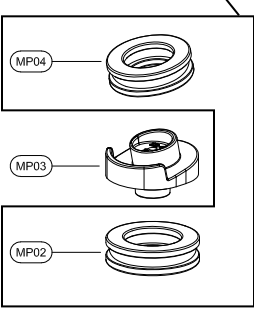
Pump body kit



Piston guide kit



Bearing kit



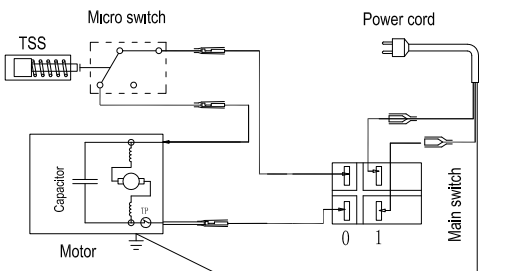
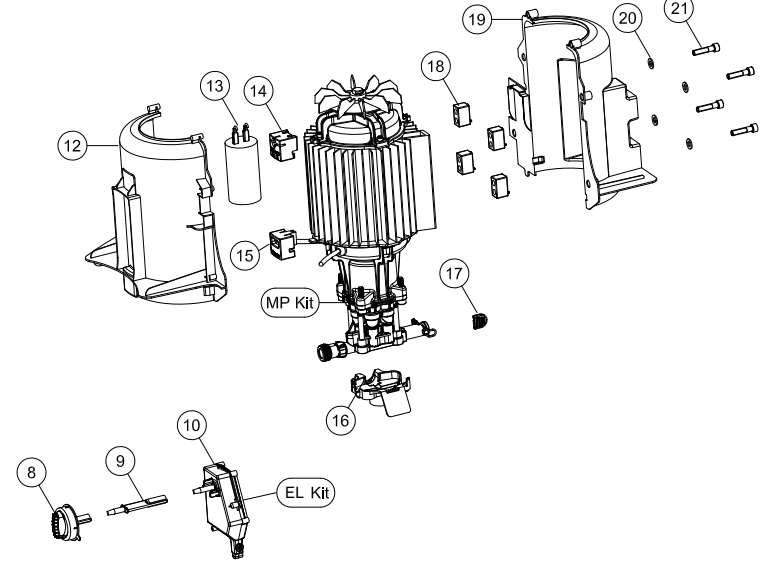
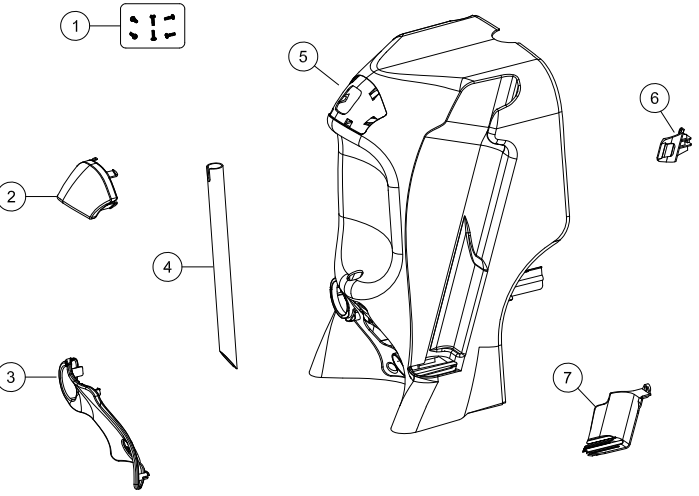
1

2

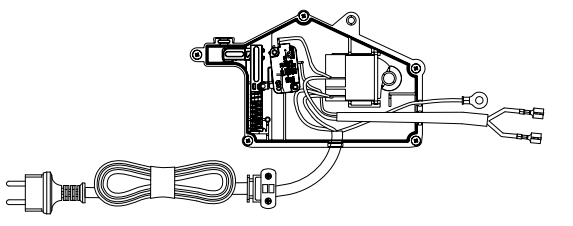
3

4

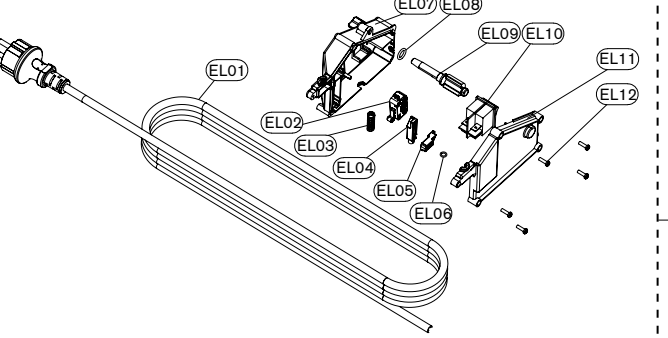
5



Circuit diagram



wiring in switch box



Rev.

2.01

Date: 2021.06.15

Note:



| Drawing number | Pcs | Name | Part number | Comment |
|----------------|-----|--|-------------|---------|
| 1 | 0 | Screw ST4. 8*16 | 95-100-294 | |
| 2 | 1 | Evolution Front_PanelT-AVA P90V6 | 95-100-657 | |
| 3 | 1 | Front_PanelD V6 | 95-100-670 | |
| 4 | 1 | Front Aluminium Tube | 95-100-582 | |
| 5 | 1 | Evolution Front_Case-V6 screen printing | 95-100-656 | |
| 6 | 1 | Front lance clip | 95-100-584 | |
| 7 | 1 | Front accessory holder | 95-100-585 | |
| 8 | 1 | AVA-switch knob | 95-100-272 | |
| 9 | 1 | Switch knob extension | 95-100-586 | |
| 10 | 1 | Switch box kit EU 3x1,5 | 95-100-623 | |
| 11 | | | | |
| 12 | 1 | SF06 Motor cover front | 95-100-625 | |
| 13 | 1 | capacity-50 uF | 95-100-122 | |
| 14 | 1 | SF06 Motor rubber plate A | 95-100-626 | |
| 15 | 1 | SF06 Motor rubber plate B | 95-100-627 | |
| 16 | 1 | SF06 Pump head cover | 95-100-628 | |
| 17 | 1 | Cover for quick connector spring AVA Green | 95-100-174 | |
| 18 | 4 | hd-wind cover rubber | 95-100-297 | |
| 19 | 1 | SF06 Motor cover back | 95-100-629 | |
| 20 | 4 | M8 Washer | 95-100-459 | |
| 21 | 4 | M8*35 screw | 95-100-458 | |
| 22 | 1 | Internal high pressure hose | 95-100-591 | |
| 23 | 1 | U-pin for outlet connector | 95-100-296 | |

| Hose reel kit | 1 | Evolution Hose reel kit | 95-100-685 | |
|---------------|---|--|------------|-----------------|
| 24 | 1 | Brass swivel for hose reel | 95-100-592 | Included in kit |
| 25 | 1 | Reel holder Right | Kit only | |
| 26 | 2 | Hose Reel | Kit only | |
| 27 | 1 | Hose guide tube | Kit only | |
| 28 | 1 | AVA Steel reinforced hose 15m | 95-100-630 | Included in kit |
| 29 | 1 | AVA hose holder ball-1 | Kit only | |
| 30 | 1 | AVA hose holder ball-2 | Kit only | |
| 31 | 5 | Screw ST2. 9*12 | 95-100-218 | Included in kit |
| 32 | 1 | Reel holder Left | Kit only | |
| 33 | 1 | Reel crank coplete | 95-100-597 | Included in kit |
| 34 | 1 | jump ring | Kit only | |
| 35 | 1 | Hose reel brass quick connector for swivel | 95-100-598 | Included in kit |
| 36 | 1 | Hose reel lock knob | 95-100-599 | Included in kit |

| | | | | |
|----|---|-------------------------|------------|--|
| 37 | 1 | Cord reel knob | 95-100-600 | |
| 38 | 1 | Gun holder left | 95-100-601 | |
| 39 | 1 | Cord reel outside cover | 95-100-602 | |
| 40 | 1 | Gun holder right | 95-100-603 | |
| 41 | 1 | Cord reel inside cover | 95-100-604 | |
| 42 | 1 | Cord reel support | 95-100-605 | |
| 43 | 1 | Back case | 95-100-606 | |
| 44 | 1 | Wheel axle | 95-100-607 | |
| 45 | 1 | Main wheel Evolution | 95-100-667 | |

| | | | |
|----|---|-----------------------|------------|
| 46 | 2 | Axle lock ring | 95-100-609 |
| 47 | 2 | Wheel cover | 95-100-610 |
| 48 | 2 | Wheel axle cover | 95-100-611 |
| 49 | 1 | Handle aluminium tube | 95-100-612 |
| 50 | 1 | Aluminium tube cover | 95-100-613 |
| 51 | 1 | Handle tray | 95-100-614 |
| 52 | 1 | Top handle | 95-100-615 |
| 53 | 1 | Top handle cover | 95-100-616 |
| 54 | 1 | M4,8x16 Screw | 95-100-617 |
| 55 | 1 | Screw ST3*14 | 95-100-618 |

| | | | |
|------|---|------------------------------|------------|
| MP01 | 1 | Induction motor 3200W 2-pole | 95-100-634 |
|------|---|------------------------------|------------|

| | | | |
|--------------------|----------|-------------------------|-------------------|
| Bearing kit | 1 | SF06 Bearing kit | 95-100-463 |
| MP02 | 1 | Bearing 51208 | Kit only |
| MP04 | 1 | Bearing 51207 | Kit only |

| | | | |
|------|---|------------------------|------------|
| MP03 | 1 | SF06 wobble plate 6.6° | 95-100-293 |
|------|---|------------------------|------------|

| | | | |
|-------------------------|----------|--------------------------------|-------------------|
| Piston guide kit | 1 | SF06 Piston guide kit | 95-100-464 |
| MP05 | 3 | Piston spring lock | Kit only |
| MP06 | 6 | SF06 piston | Kit only |
| MP07 | 1 | Piston return spring | Kit only |
| MP09 | 1 | SF06 piston guide | Kit only |
| MP10 | 3 | Oil sealing 12x20x5,5 | Kit only |
| MP11 | 6 | Oil sealing holder | Kit only |
| MP12 | 6 | Back up ring for water sealing | Kit only |
| MP13 | 4 | Screw M8*25 (8.8) | Kit only |

| | | | |
|------|---|-------------------|------------|
| MP08 | 1 | O-ring 80*2 NBR80 | 95-100-369 |
|------|---|-------------------|------------|

| | | | |
|----------------------|----------|-----------------------------------|-------------------|
| Pump body kit | 1 | SF06 Pump body kit | 95-100-465 |
| MP14 | 6 | Back up washer for water sealing | Kit only |
| MP15 | 6 | Water sealing (12*18*5.1) | Kit only |
| MP16 | 12 | Water in and outlet valve (9.5mm) | Kit only |
| MP17 | 1 | SF06 body pump | Kit only |
| MP18 | 1 | SF06 pump body water sealing | Kit only |

| | | | |
|-----------------------|----------|-----------------------------|-------------------|
| Main valve kit | 1 | SF06 Main valve kit | 95-100-466 |
| MP19 | 1 | SF06 total valve seat | Kit only |
| MP20 | 1 | SF04 total oneway valve kit | Kit only |
| MP21 | 1 | SF04 total valve spring | Kit only |

| | | | |
|----------------------|----------|---------------------------|-------------------|
| Pump head kit | 1 | SF06 Pump head kit | 95-100-474 |
| MP22 | 1 | SF06 pump head | Kit only |
| MP23 | 1 | New auto s/s plug kit | Kit only |
| MP24 | 1 | O-ring 3.5*1.8 NBR90 | Kit only |
| MP25 | 1 | Overflow washer plastic | Kit only |
| MP26 | 1 | Auto s/s spring | Kit only |
| MP27 | 1 | SF04 overflow valve core | Kit only |

| | | | | |
|------|---|---------------------------------|------------|-----------------|
| MP28 | 1 | O-ring 8.5*2 NBR90 | Kit only | |
| MP29 | 1 | SF04 Plastic valve seat kit | Kit only | |
| MP30 | 1 | U-pin for pump outlet extension | 95-100-184 | Included in kit |
| MP32 | 4 | Screw M8*73 (8.8) | Kit only | |
| MP33 | 1 | SF04 easy start valve kit | Kit only | |
| MP34 | 1 | Easy start valve spring | Kit only | |
| MP35 | 1 | SF06 easy start valve seat | Kit only | |
| MP36 | 1 | Water inlet extension (B) | Kit only | |

| | | | | |
|------|---|----------------------------------|------------|--|
| MP31 | 1 | Water Outlet quick connector (B) | 95-100-632 | |
|------|---|----------------------------------|------------|--|

| Switch box kit | 1 | Dual action switch box kit | 95-100-623 | |
|-----------------------|----------|-----------------------------------|-------------------|-----------------|
| EL01 | 1 | Cord kit EU 3*1.5 | 95-100-341 | Included in kit |
| EL02 | 1 | Micro switch w Roller | 95-100-679 | Included in kit |
| EL03 | 1 | Slider spring | 95-100-680 | Included in kit |
| EL04 | 1 | Secondary slider | 95-100-681 | Included in kit |
| EL05 | 1 | Primary slider | 95-100-682 | Included in kit |
| EL06 | 1 | O-ring 3.5*1.8 NBR90 | 95-100-166 | Included in kit |
| EL07 | 1 | Dual switch box upper case | 95-100-683 | Included in kit |
| EL08 | 1 | O-ring 8*2 | 95-100-216 | Included in kit |
| EL09 | 1 | WS-switch-box-shaft | 95-100-215 | Included in kit |
| EL10 | 1 | ON/OFF switch (18A) | 95-100-267 | Included in kit |
| EL11 | 1 | Dual switch box lower case | 95-100-684 | Included in kit |
| EL12 | 5 | Screw ST2. 9*12 | 95-100-218 | Included in kit |